

Orbiter[®]



Main Features

- Variety of optics including: open face, projection, dome, and softboxes
- ARRI Spectra six-color, wide gamut light engine
- Extremely powerful output for maximal brightness and perfect colors
- Lighting Operating System (LiOS) with powerful software features
- Weatherproof housing
- Integrated color sensor for matching ambient light
- Removable, intuitive control panel
- Full suite of connectors and sensors
- Perfected smooth dimming to zero
- Internal power supply, wireless DMX, & battery input

Orbiter is an ultra-bright, tunable, and directional LED fixture from ARRI. All systems in Orbiter are completely new and designed with versatility in mind. Orbiter’s new six-color light engine delivers a wide-color gamut and outstanding color rendition across all color temperatures along with industry-leading, smooth dimming from 100 to 0%. With its changeable optics, Orbiter can transform into many different types of lampheads including projection (profile), open face, soft light, and other future possibilities. Orbiter is the most advanced luminaire ever created with exciting new technology packed into every fixture. Features such as a fast processor, ample memory, expanded connectivity, built-in array of sensors, weatherproof housing, and many more make Orbiter a formidable machine. Orbiter’s state-of-the-art technology and versatile design makes it an optimal lamphead for today and for the future with endless possibilities for updates, configurations, and enhancements.

Changeable optics is the core innovation in Orbiter. With a wide variety of optics to choose from, Orbiter transforms into the perfect light for your application without sacrificing beam, output, or color quality. The Quick Lighting Mount (QLM) in Orbiter allows for optics with vastly different properties to be connected to the fixture.

Orbiter is an extremely bright and powerful, directional LED fixture with an output similar to that of the corresponding HMI systems. Orbiter’s high, yet tunable, ARRI Spectra light engine output can create hard shadows with defined edges. This revolutionary light engine is 76 times smaller than the L10’s light engine but produces the same power draw and greater output. A dense arrangement of over 190 LEDs gives Orbiter a point source-like aperture while maintaining full-color tunability with a new six-color LED mixture. Including a red, green, blue, amber, cyan, and lime LED, the ARRI Spectra six-color light engine translates into a wider color gamut, more accurate colors, and most importantly, higher color rendition across the entire CCT range. Skin tones look amazing and natural.

Accessories - in preparation

- Open Face Optics
- Snoots
- Projection Optics
- Barndoors
- Domes
- SkyLink
- Softboxes
- and others

Apps - in preparation

- ARRI Stellar
- ARRI Photometrics App

Models

Version	Optic	Mounting	Color
Orbiter	Open Face 60°	Manual	■ ■
Orbiter	Open Face 30°	Manual	■ ■
Orbiter	Open Face 15°	Manual	■ ■
Orbiter	Projection 35°	Manual, Pole Operated	■ ■
Orbiter	Projection 15°	Manual, Pole Operated	■ ■
Orbiter	Dome L	Manual	■ ■
Orbiter	without Optic	Manual	■ ■
Manual	Aluminum yoke and 3 m (10 ft) cable with Schuko connector & line switch or 3 m (10 ft) cable with Chinese connector & line switch or 3 m (10 ft) cable with Japanese connector & line switch or 7 m (23 ft) cable with Edison connector & line switch		
Pole-operated	Steel yoke with pole operation for pan, tilt and focus, and 1.5 m (5 ft) cable with Bare Ends		

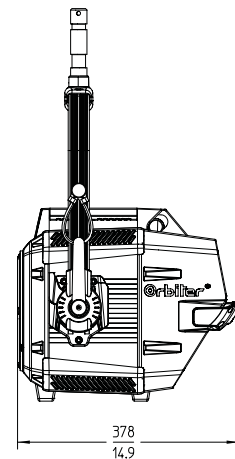
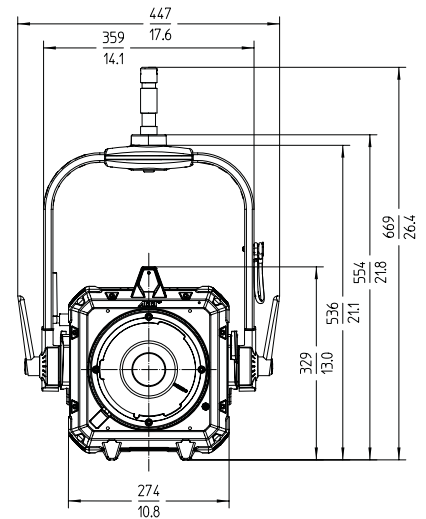
All versions include Removable Control Panel, 5m (15 ft) PoE extension cable, powerCON TRUE1 TOP mains cable

Further versions available.



Specifications Orbiter

Optical System	Changeable Optics
Light Aperture	45 mm / 1,78"
Beam Angle	80° Half Peak Angle, without optics
Weight	Manual Version: approx. 15 kg / 33 lbs Pole Op Version: approx. 16 kg / 37 lbs
Handling	Aluminum yoke with quick release, high strength tilt lock, pole operation option (pan and tilt)
Mounting	28 mm Spigot (Junior Pin)
Tilt Angle	+/- 90°
Voltage Input Range	100 - 260 V~, 50 - 60 Hz
Power Consumption	400 W Nominal, 500 W Maximum
Mains Power Connection	powerCON TRUE1 TOP (Bare Ends / Schuko / Edison, Japanese, Chinese cables available)
Battery Connector	3-Pin XLR Connector (Pin 1: negative, Pin 2: positive)
Battery DC Voltage Range	48 V _{DC}
White Light	2,000 K to 20,000 K continuously variable correlated color temperature
Color Modes	Wide color gamut Color Modes: CCT, HSI, individual color, gel selection, x/y coordinates, source matching, lighting effects, and color sensor mode
Color Temperature Tolerance	3.200 to 5.600 K: +/- 100 K (nominal), +/- 1/8 Green-Magenta (nominal)
Color Rendition	CRI Average > 98 TLCI Average > 95 TM-30 Average > 94
Green-Magenta Adjustment	continuously adjustable (Full Minusgreen to Full Plusgreen)
Dimming	Smooth, 100 to 0 %, continuously
Connectivity	Removable Control Panel via PoE, 5-Pin DMX in and through, Ethernet in and through, 2 x USB-A, USB-C, SD Card, Sync Input, LumenRadio CRMX (DMX & RDM)
Remote Device Management (RDM)	Full E1.20 RDM standard implementation with custom & standard RDM commands
Housing Color	Blue/silver, black
Ambient Temperature Operation	-20 to +45° C (-4 to +113° F)
Protection Class / IP Rating	I / weatherproof
Estimated LED Lifetime (L70)	50,000 hours
Estimated Color Shift Over Lifetime (CCT)	+/- 5 %
Certifications	pending: CE, CB, GS, cNRTLus, FCC, PSE



All specifications are preliminary typical values. Subject to change without notice.

This device has not yet been authorized by the rules of the Federal Communications Commission.
This device is not, and will not be, offered for sale or lease within the United States, until authorization is obtained.